



臺灣杉毅事業有限公司

TAIWAN SANEAST ENTERPRISE, INC.

VP Series Vacuum Conveying System

VP series vacuum convey system include one unit vacuum loader and one (or more) unit vacuum chamber. VP series suitable for long distance convey, large capacity convey, multi-station convey.

Features :

- VP series can be suitable all kind of plastic materials conveying.
- High static pressure suitable for long distance convey.
- One vacuum power unit can manipulate more than 2 sets of vacuum chamber.
- SUS304 stainless steel for material contact surface .
- The Vacuum chamber interior is 250 mesh polished.
- Stainless steel cyclone, Auto-clean filter is optional.
- Micro-processor control.
- Easy clean design.
- Control error alarms.



VP -035 vacuum loader and
VH-030 vacuum hopper



Stainless steel cyclone
(Optional)



Auto-clean filter
(Optional)



Head Office : No.207, Wu Gu Wang N.
St., San Chung City 241 Taipei Hsien, Taiwan

TEL : 886-2-8511-0898

FAX : 886-2-8511-0359

<http://www.tsaneast.com.tw>

E-mail : tsaneast@ms5.hinet.net

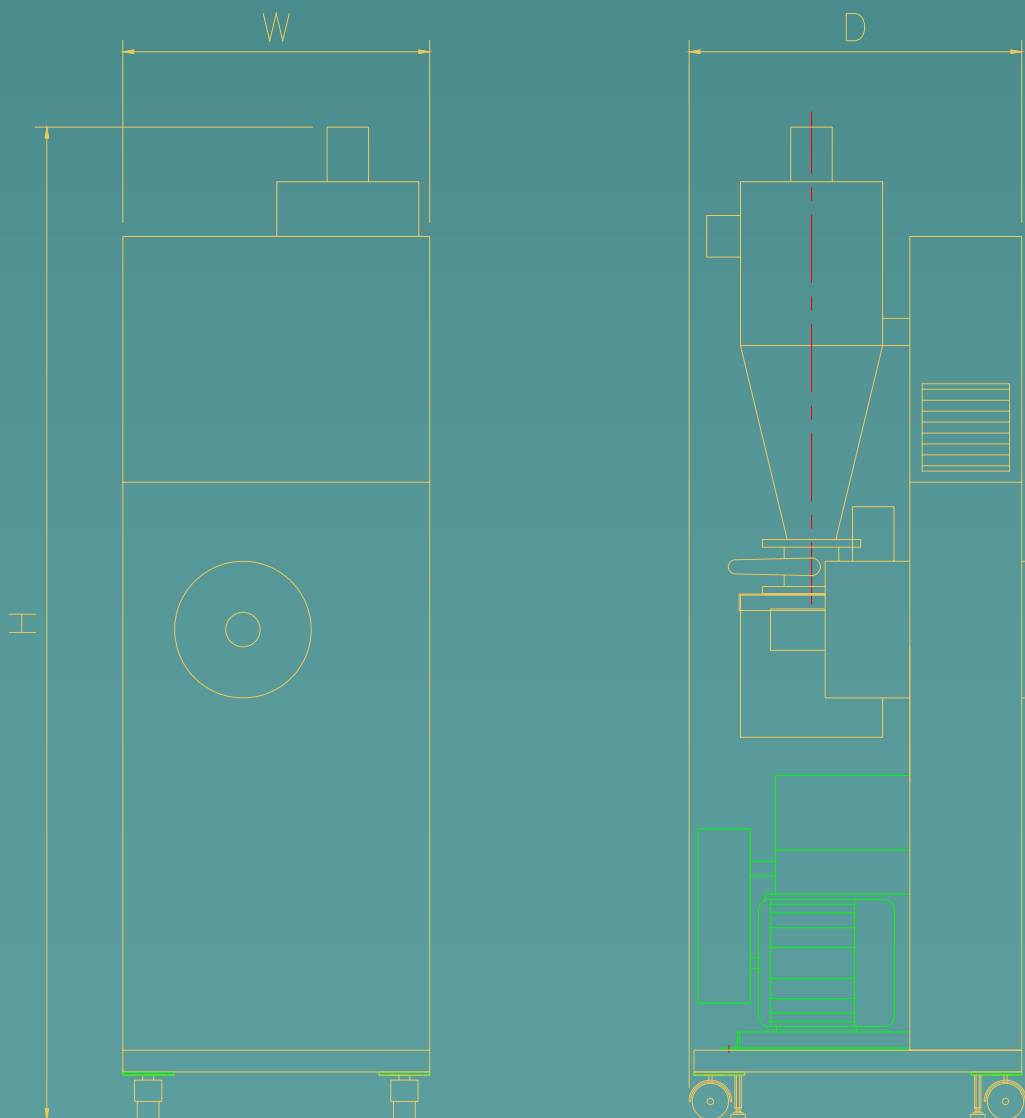


臺灣杉毅事業有限公司

TAIWAN SANEAST ENTERPRISE, INC.

Specifications :

Model	VP-010	VP-020	VP-035	VP-050	VP-075	VP-100	VP-150
Motor (KW)	0.75	1.5	2.63	3.75	5.63	7.5	11.25
Material DUCT (mm)	38.1	38.1	50.8	50.8	63.5	63.5	76.2
Air DUCT (mm)	38.1	38.1	50.8	50.8	63.5	63.5	76.2
Capacity (KG/HR)	300	500	750	1000	1200	1600	2000
Vacuum chamber (Liter)	6L	15L	30L	30L	30L	30L/45L	30L/45L
filter	Yes	Yes	Yes	Yes	Yes	Yes	Yes
cyclone	Yes	Yes	Yes	Yes	Yes	Yes	Yes
H (mm)	1250	1250	1250	1650	1650	1850	1850
W (mm)	550	550	550	550	550	550	550
D (mm)	500	500	500	420	800	800	800
Weight (KG)	39	46	65	70	105	120	225



Remark :

1. Filter element is standard specification.
2. Carbon steel Cyclone is standard specification.
3. The specification list showing convey capacity is up to material of bulk density 0.65g/cm^3
4. Before you choose vacuum conveying system, please advice your capacity inquiry, horizontal distance, vertical distance, material type, bulk density.
5. Stainless steel cyclone is option.
6. Powder / Flake vacuum chamber is option.
7. Auto-clean filter is option.

Head Office : No.207, Wu Gu Wang N. St., San Chung City 241 Taipei Hsien, Taiwan

TEL : 886-2-8511-0898

FAX : 886-2-8511-0359

<http://www.tsaneast.com.tw>

E-mail : tsaneast@ms5.hinet.net

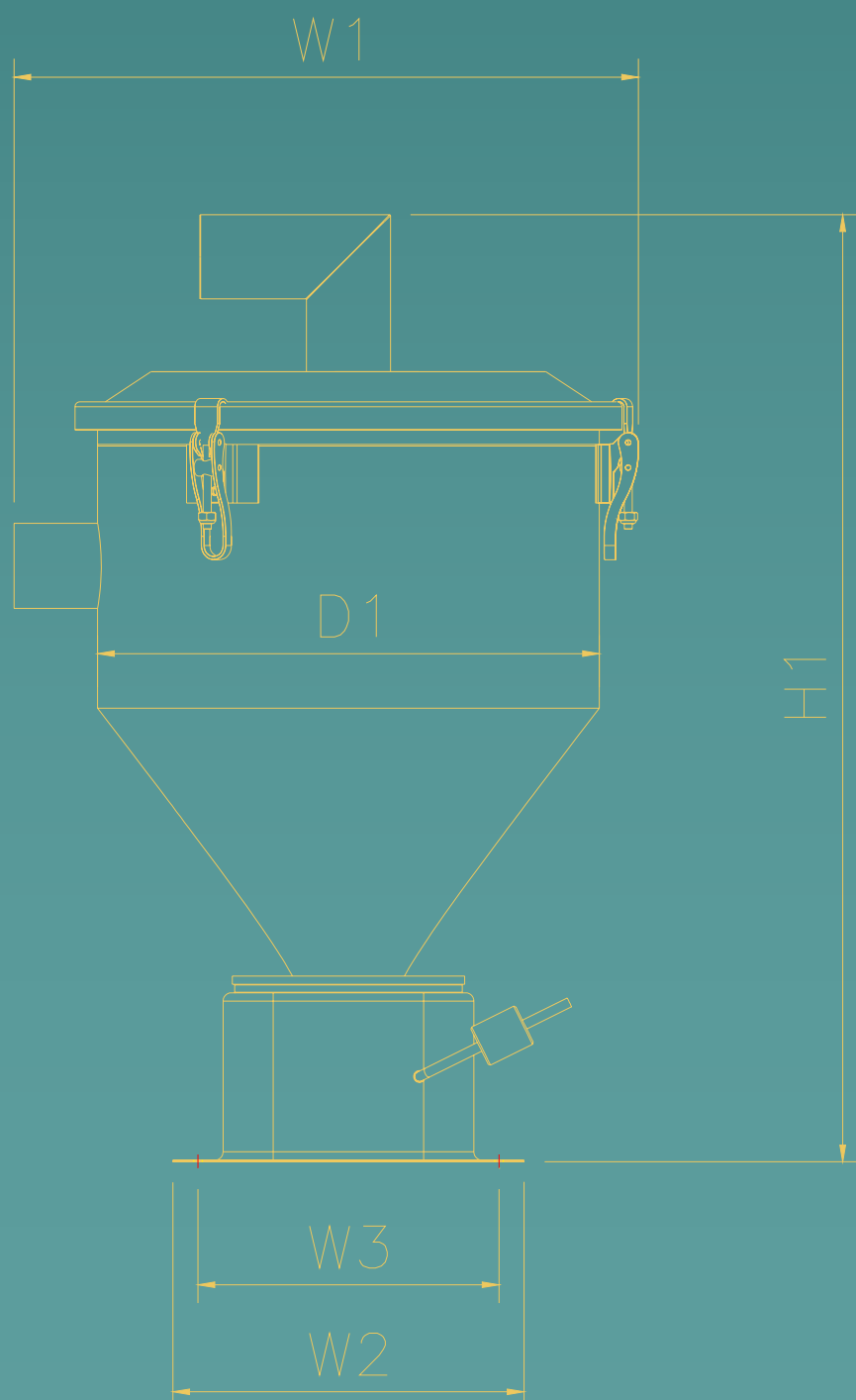


臺灣杉毅事業有限公司

TAIWAN SANEAST ENTERPRISE, INC.

Vacuum chamber specifications :

Model	VH-006	VH-015	VH-030	VH-045
Volume (Liter)	6	15	30	45
Material DUCT (mm)	38.1	38.1	50.8/63.5	63.5/76.2
Air DUCT (mm)	38.1	38.1	50.8/63.5	63.5/76.2
Construct material	Stainless steel	Stainless steel	Stainless steel	Stainless steel
interior polish	250 mesh	250 mesh	250 mesh	250 mesh
H1 (mm)	490	660	820	950
W1 (mm)	290	360	480	480
D1 (mm)	230	300	420	420
W2 (mm)	210	210	210	210
W3 (mm) Mounting hole	150	150	150	150
Weight (KG)	6	11	17	22



Remark :

1. VH series vacuum chamber is all stainless steel product, interior 250 mesh polished.
2. Before you choose vacuum conveying system, please advice your capacity inquiry, horizontal distance, vertical distance, material type, bulk density.
3. Powder / Flake vacuum hopper is different to standard type. It is required a filter inside the chamber and additional compressed air and auto blow system.
4. VH-030 , VH-045 material DUCT and air DUCT have to match Vacuum power unit's specification.
5. If your vacuum chamber require special connecting flange, please advice before order.

Head Office : No.207, Wu Gu Wang N. St., San Chung City 241 Taipei Hsien, Taiwan

TEL : 886-2-8511-0898

FAX : 886-2-8511-0359

<http://www.tsaneast.com.tw>

E-mail : tsaneast@ms5.hinet.net



臺灣杉毅事業有限公司

TAIWAN SANEAST ENTERPRISE, INC.

SVP Series Root's blower

Super Vacuum Power (SVP) series root's blower is suitable for long distance convey, large capacity convey, multi-station conveying.

Features :

- High static pressure , pressure is up to $\pm 5000\text{mmAq}$.
- SVP series is suitable for 50~200 Meters long distance convey.
- Computerized CNC machines are used to produce high quality and precision components and parts.
- Low noise, low vibration.
- Special rotor element design for low air pulsation, air flow stable and even. Reduce vibration and noise, saving energy.



SVP series Root's Blower



Auto-clean filter
(optional)



Safety valve



Head Office : No.207, Wu Gu Wang N.
St., San Chung City 241 Taipei Hsien, Taiwan

TEL : 886-2-8511-0898

FAX : 886-2-8511-0359

<http://www.tsaneast.com.tw>

E-mail : tsaneast@ms5.hinet.net

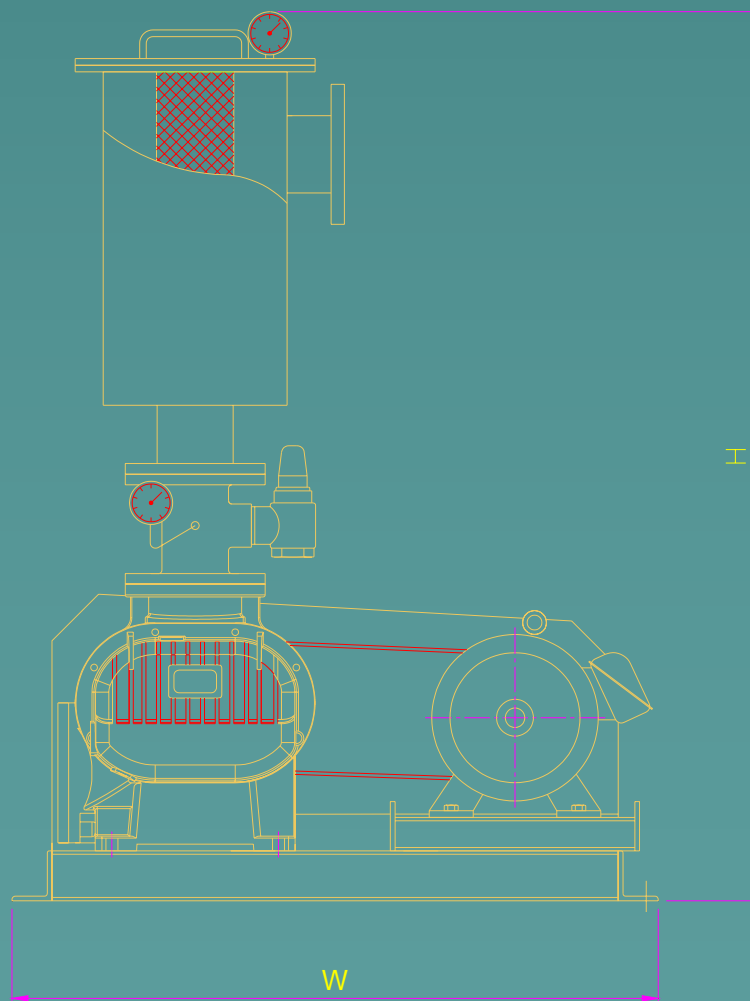
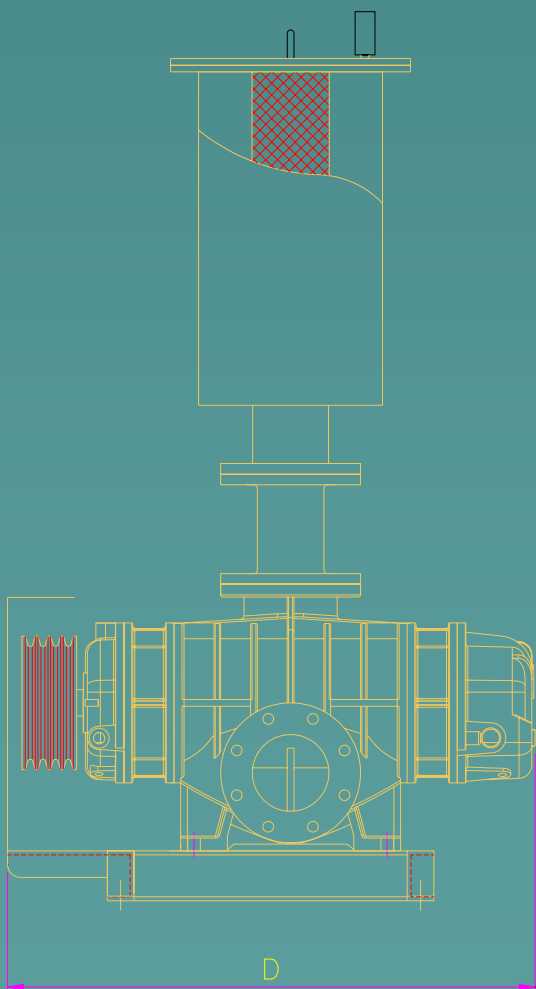


臺灣杉毅事業有限公司

TAIWAN SANEAST ENTERPRISE, INC.

Specifications :

Model	SVP-050	SVP-075	SVP-100	SVP-150	SVP-200	SVP-300
Motor (KW)	3.75	5.625	7.5	11.25	15	22.5
Air outlet DUCT (mm)	50.8/76.2	50.8/76.2	50.8/76.2	50.8/76.2	76.2/101.6	76.2/101.6
Air inlet DUCT (mm)	50.8/76.2	50.8/76.2	50.8/76.2	50.8/76.2	76.2/101.6	76.2/101.6
Air flow (m ³ /min)	2.55	3.61	7.23	10.4	13.6	22.7
Rotor speed (R.P.M.)	1150	1150	1150	1150	1150	1150
pressure (±mmAq)	4000	4000	4000	4000	4000	4000
Cyclone	option	option	option	option	option	option
H (mm)	955	955	1380	1380	1395	1850
W (mm)	900	900	1100	1100	1400	1700
D (mm)	470	470	600	600	600	950
Weight (KG)	165	179	321	351	399	625



Head Office : No.207, Wu Gu Wang N.
St., San Chung City 241 Taipei Hsien, Taiwan

TEL : 886-2-8511-0898

FAX : 886-2-8511-0359

<http://www.tsaneast.com.tw>

E-mail : tsaneast@ms5.hinet.net